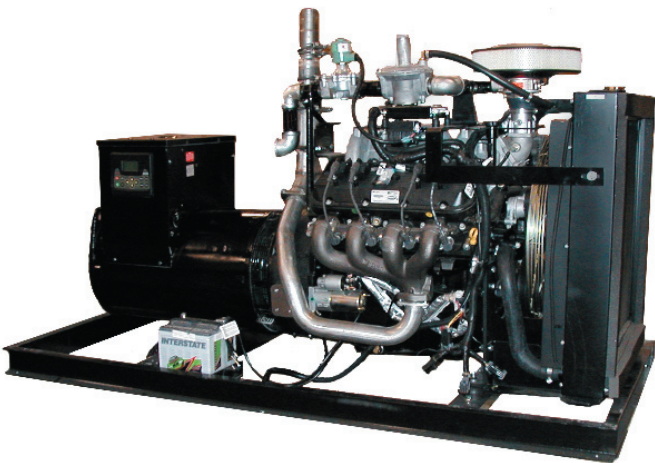
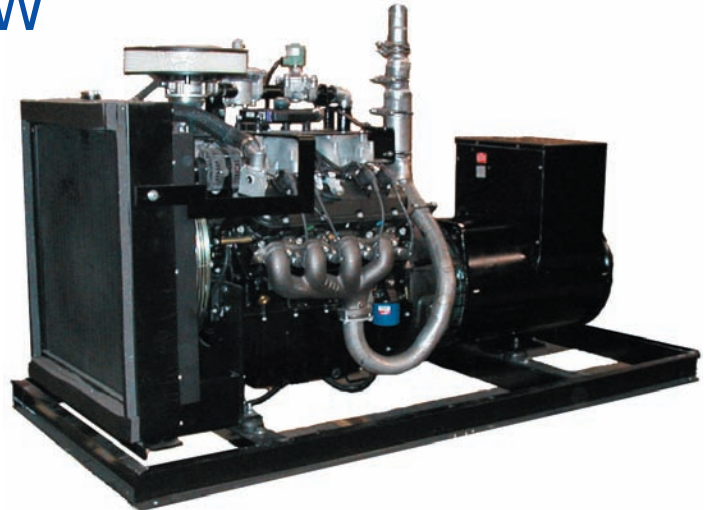


**FUEL TYPE: PROPANE, NATURAL GAS**

Model **80AF**<sub>80kW</sub>

**Engine: GM81**

Type.....	8 cycles OHV V Type
No. of Cyl.....	8
Bore x Stroke (in.).....	4.25 x 4.37
Displacement (cu. in.).....	496.0
Compression ratio.....	9:1:1
Lube oil capacity (qts.).....	8
Cooling water capacity (qts.).....	.28
Auto shutdown.....	Yes



Alternative Fuel products are rated for industrial use, economical to operate and competitively priced. The above pictured Alternative Fuel Unit includes the following features: 8 cylinder engine, brushless generator, muffler, replaceable air filter, steel skid base, rubber isolation mounts, and analog 100 control panel. **All Alternative Fuel Sets are suitable for continuous use.**

some options may be shown

**80 Alternative Fuel Series**

**norpro**  
**Warranty Information**

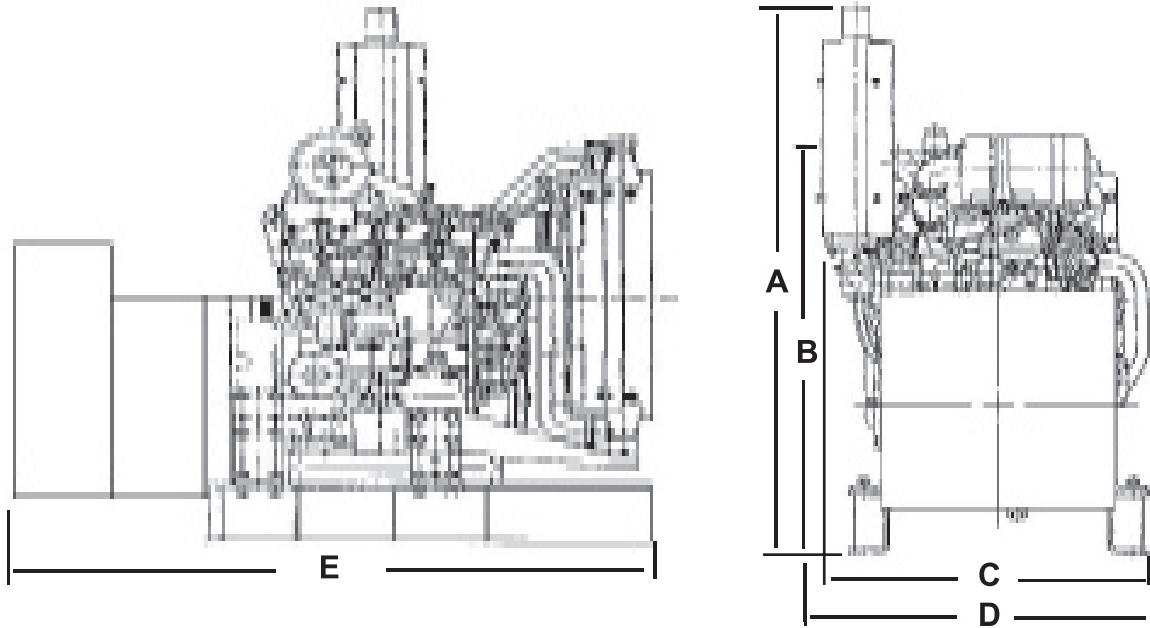
2 Year/2000 hour engine warranty

1 Year/Unlimited hour generator warranty

Standby Rating.....	80kW
Amps at 120 Volts.....	666
Amps at 240 Volts.....	333
Weight (LBS).....	1583

**Delivering excellence one product at a time**

**Model 80AF**



Model	LBS	A	B	C	D	E	AMPS 120	AMPS 240
80AF	1583	42	37	26	30	69	666	333
Shield	350	40	-	-	38	78	-	-

Authorized Sales and Service Representative

**norpro**<sup>®</sup> Power Products.  
Tel: US (858) 581-3077 Fax: US (858) 274-5523  
Email: [norpro@williamjwoods.com](mailto:norpro@williamjwoods.com) [www.williamjwoods.com/norpro/](http://www.williamjwoods.com/norpro/)