

## marine propulsion family by **norpro**<sup>®</sup>

Model **1496**<sub>34hp</sub>

EPA Certified

**Engine:**  
**ISUZU DIESEL 3CD1**

**Main Specifications**

Type.....3 cylinder, 4 cycle, water cooled, OHV  
Fuel System.....Direct injection  
Bore & Stroke.....3.3in x 3.5in  
Piston Displacement.....91.5 cu. in.  
Dry Weight .....304 lbs.  
Dimensions - LxWxH.....24x20x27 in.  
Coolant Capacity (Block) .....2.13 qts.  
Lube Oil Capacity .....7.14 qts.  
Engine Rotation.....Counter clockwise from flywheel  
Compression Ratio .....18:1  
dB(A) @ 1 meter w/o intake & exhaust attenuated.....85  
2 year warranty

**Standard Features**

Alternator.....12V - 30A  
Voltage Regulator.....Integral 12V  
Starter.....12V - 1.2 kW  
Exhaust Manifold .....Water cooled  
Exhaust.....cooled elbow  
Cooling System.....Heat exchanger  
Flywheel Housing.....SAE #5  
Flywheel .....7.5 in.  
Cold Weather Aid.....Heated intake  
Turbo .....N/A  
Engine Shutdown .....Electric  
Oil Pan .....30° inclination, all directions  
Paint .....Bonsai Blue

**Marine Rating**

Intermittent gross @ sea level.....34 BHP @ 3000 RPM  
Continuous gross @ sea level.....24.6 BHP @ 2500 RPM  
Maximum Torque.....70.3 ft. lbs @ 1800 RPM

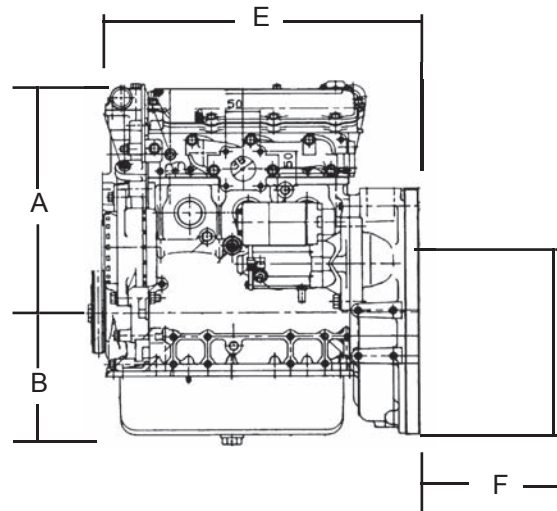
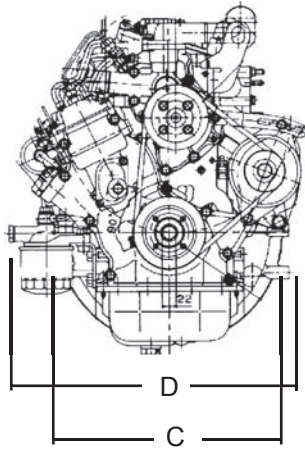


(Some options may be shown)

**Options**

Heat Exchanger Cooling  
Wet Exhaust Elbow  
Dual Station Instrument Panels with Y Harness  
5', 10', 20', or 50' Extention Harness  
Raw Water Pump  
Oil Drain Hose Kit  
Anti-Vibration Mounts  
90 Amp Alternator  
Auxiliary Crank Pulley  
Pewter Grey or Strong White Paint  
Drive Damper

**Delivering excellence one product at a time**



\*2.72 ratio is not compatible. Use instead ZF12 (2.63:1)

*Dimensions in Inches*

Model	A	B	C	D	E	ZF	F	Twin Disc	F
1120	14.2	7.6	18	19.5	20.6	10*	7.6	MG340	6.8
1496	15	8.9	18	19.5	21.9	10*	7.6	MG340	6.8
2179-1	14.7	8.5	18	19.5	28.4	15	8.0	MG360	9.4
2179-2	14.7	8.5	18	19.5	28.4	15	8.0	MG360	9.4
6500TR	N/A	N/A	25	25.2	46.7	63-80A/H	14.5	506-1/A	13.4
6500TRC	N/A	N/A	25	25.2	46.7	63-80A/H	14.5	506-1/A	13.4
6500TRC-1	N/A	N/A	25	25.2	46.7	63-80A/H	14.5	506-1/A	13.4

Model	Rating	Cu. In.	Bobtail Weight	Cylinders	ZF	Weight	Twin Disc	Weight
1120	26BHP@3000	68.6	272lbs	3	10*	27.5 lbs.	MG340	34 lbs.
1496	34BHP@3000	91.5	320lbs.	3	10*	27.5 lbs.	MG340	34 lbs.
2179-1	53BHP@3000	133	463lbs.	4	15	31 lbs.	MG360	48 lbs.
2179-2	55BHP@3000	133	464lbs.	4	15	31 lbs.	MG360	48 lbs.
6500TR	182HP@2200	396	1350lbs.	6	63-80A/H	150 lbs.	506-1/A	225 lbs.
6500TRC	202HP@2200	396	1418lbs.	6	63-80A/H	150 lbs.	506-1/A	225 lbs.
6500TRC-1	222HP@2500	396	1418lbs.	6	63-80A/H	150 lbs.	506-1/A	225 lbs.

**5 year/5000hour engine warranty    1 year warranty on gear and some parts**

**Authorized Sales & Service Dealer**

**norpro**<sup>®</sup> Power Products.

Tel: US (858) 581-3077 Fax: US (858) 274-5523  
Email: [norpro@williamjwoods.com](mailto:norpro@williamjwoods.com) [www.williamjwoods.com/norpro/](http://www.williamjwoods.com/norpro/)