

marine propulsion family by **norpro**[®]

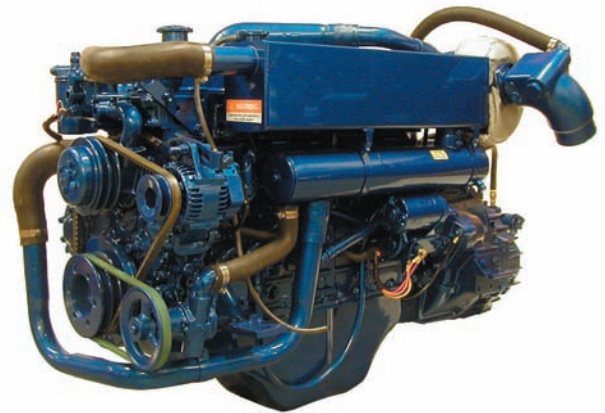
Model 6500TR_{182hp}

EPA Certified

Engine:
ISUZU DIESEL 6BG1 TURBOCHARGED

Main Specifications

Type.....6 cylinder, 4 cycle, water cooled, OHV
.....direct injection
Bore & Stroke.....4.13 x 4.92 in.
Piston Displacement.....396 cu. in.
Dry Weight1350 lbs.
Dimensions - L x W x H47.35 x 36.7 x 37.4 in.
Coolant Capacity (Block).....12.7 qts.
Lube Oil Capacity22.7 qts.
Engine Rotation.....Counter clockwise from flywheel
Compression Ratio17.5:1
Decibel rating @2200 RPMs94.3
5 year/5000 hour warranty



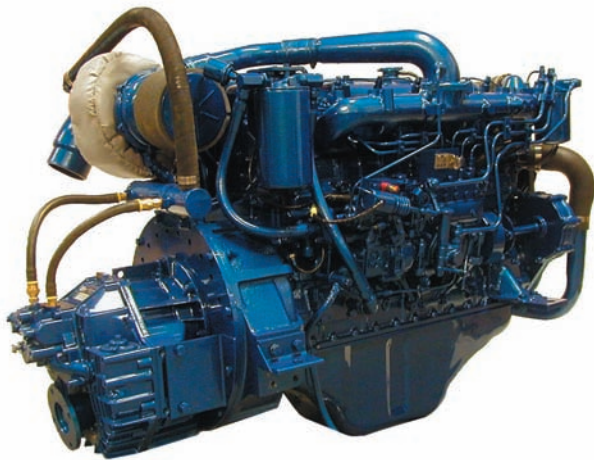
(Some options may be shown)

Standard Features

Alternator.....12V - 60A
Voltage Regulator.....Integral 12V
Starter.....12V - 2.5 kW
Exhaust Manifold.....Water Cooled
Flywheel Housing.....SAE #3
FlywheelSAE 11.5 in.
Cold Weather Aid.....Glowplugs
Air FilterFoam
Engine ShutdownElectric
CrankshaftTufrided Hardened
PistonsSprayed Oil Cooled
PaintBonsai Blue

Options

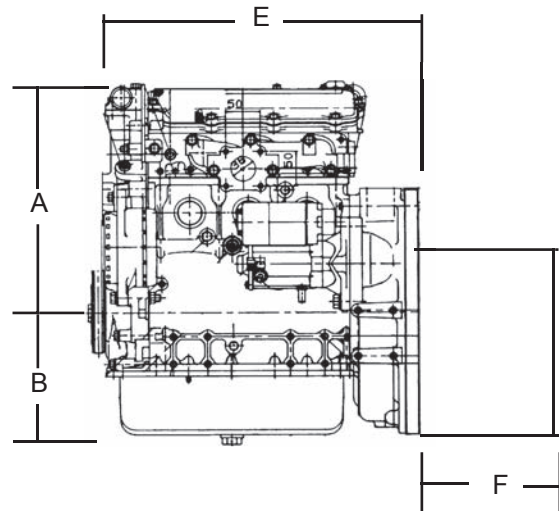
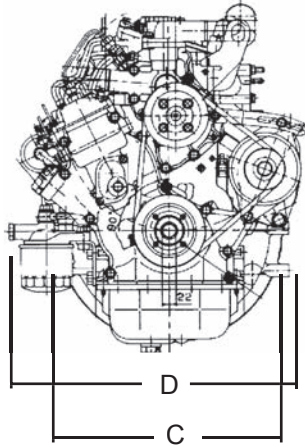
Heat Exchanger Cooling
Wet Exhaust Elbow
Dual Station Instrument Panels with Y Harness
5', 10', 20', or 50' Extention Harness
Raw Water Pump
Oil Drain Hose Kit
Anti-Vibration Mounts
90 Amp Alternator
Auxiliary Crank Pulley
PTO Stub Shaft
Center Line Mounts
Shallow Oil Pan
Power Steering Pump
Bell Housing Mounts
Pewter Grey or Strong White Paint
Drive Damper



Marine Rating

Intermittent gross @ sea level.....182 BHP @ 2200 RPM
Continuous gross @ sea level.....162 BHP @ 2200 RPM
Maximum Torque.....474 ft. lbs @ 1800 RPM

Delivering excellence one product at a time



*2.72 ratio is not compatible. Use instead ZF12 (2.63:1)

Dimensions in Inches

Model	A	B	C	D	E	ZF	F	Twin Disc	F
1120	14.2	7.6	18	19.5	20.6	10*	7.6	MG340	6.8
1496	15	8.9	18	19.5	21.9	10*	7.6	MG340	6.8
2179-1	14.7	8.5	18	19.5	28.4	15	8.0	MG360	9.4
2179-2	14.7	8.5	18	19.5	28.4	15	8.0	MG360	9.4
6500TR	N/A	N/A	25	25.2	46.7	63-80A/H	14.5	506-1/A	13.4
6500TRC	N/A	N/A	25	25.2	46.7	63-80A/H	14.5	506-1/A	13.4
6500TRC-1	N/A	N/A	25	25.2	46.7	63-80A/H	14.5	506-1/A	13.4

Model	Rating	Cu. In.	Bobtail Weight	Cylinders	ZF	Weight	Twin Disc	Weight
1120	26BHP@3000	68.6	272lbs	3	10*	27.5 lbs.	MG340	34 lbs.
1496	34BHP@3000	91.5	320lbs.	3	10*	27.5 lbs.	MG340	34 lbs.
2179-1	53BHP@3000	133	463lbs.	4	15	31 lbs.	MG360	48 lbs.
2179-2	55BHP@3000	133	464lbs.	4	15	31 lbs.	MG360	48 lbs.
6500TR	182HP@2200	396	1350lbs.	6	63-80A/H	150 lbs.	506-1/A	225 lbs.
6500TRC	202HP@2200	396	1418lbs.	6	63-80A/H	150 lbs.	506-1/A	225 lbs.
6500TRC-1	222HP@2500	396	1418lbs.	6	63-80A/H	150 lbs.	506-1/A	225 lbs.

5 year/5000hour engine warranty 1 year warranty on gear and some parts

Authorized Sales & Service Dealer

norpro[®] Power Products.

Tel: US (858) 581-3077 Fax: US (858) 274-5523

Email: norpro@williamjwoods.com www.williamjwoods.com/norpro/