

## marine propulsion family by **norpro**<sup>®</sup>

Model **6500TRC** 202hp

**6500TRC-1** 222hp

EPA Certified

**Engine:**

**ISUZU DIESEL 6BG1 TURBOCHARGED**

**Main Specifications**

Type.....6 cylinder, 4 cycle, water cooled, OHV  
.....direct injection  
Bore & Stroke.....4.13 x 4.92 in.  
Piston Displacement.....396 cu. in.  
Dry Weight.....1418 lbs.  
Dimensions - L x W x H.....42.35 x 36.7 x 27.4 in.  
Coolant Capacity (Block).....12.7 qts.  
Lube Oil Capacity.....22.7 qts.  
Engine Rotation.....Counter clockwise from flywheel  
Compression Ratio.....17.5:1  
Decibel rating @2200 RPMs.....94.3  
5 year/5000 hour warranty

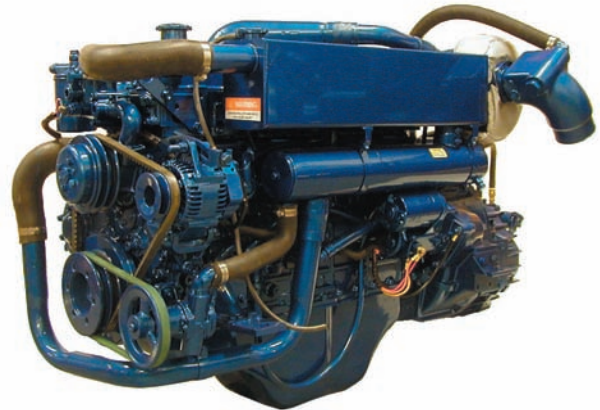
**Standard Features**

Alternator.....12V - 60A  
Voltage Regulator.....Integral 12V  
Starter.....12V - 2.5 kW  
Exhaust Manifold.....Water Cooled  
Flywheel Housing.....SAE #3  
Flywheel.....SAE 11.5 in.  
Cold Weather Aid.....Glowplugs  
Air Filter.....Foam  
Engine Shutdown.....Electric  
Crankshaft.....Tuftrided Hardened  
Pistons.....Sprayed Oil Cooled  
Paint.....Bonsai Blue

**Marine Rating**

**6500TRC**

Intermittent gross @ sea level.....202 BHP @ 2200 RPM  
Continuous gross @ sea level.....179 BHP @ 2200 RPM  
Maximum Torque.....525 ft. lbs @1800 RPM



(Some options may be shown)

**Marine Rating**

**6500TRC-1\***

Intermittent gross @ sea level.....222 BHP @ 2500 RPM  
Continuous gross @ sea level.....179 BHP @ 2500 RPM  
Maximum Torque.....525 ft. lbs @1800 RPM

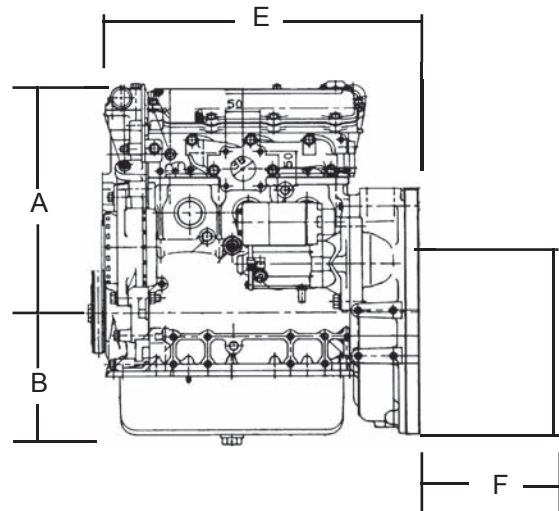
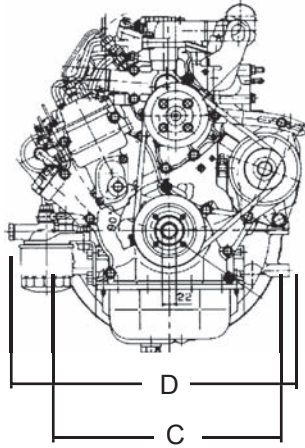
\*This model is not workboat EPA certified

**Options**

Heat Exchanger Cooling  
Wet Exhaust Elbow  
Dual Station Instrument Panels with Y Harness  
5', 10', 20', or 50' Extention Harness  
Raw Water Pump  
Oil Drain Hose Kit  
Anti-Vibration Mounts  
90 Amp Alternator  
Auxiliary Crank Pulley  
PTO Stub Shaft  
Center Line Mounts  
Shallow Oil Pan  
Power Steering Pump  
Bell Housing Mounts  
Pewter Grey or Strong White Paint  
Drive Damper

**Delivering excellence one product at a time**

Due to constant product development all specifications are subject to change without notice



\*2.72 ratio is not compatible. Use instead ZF12 (2.63:1)

*Dimensions in Inches*

Model	A	B	C	D	E	ZF	F	Twin Disc	F
1120	14.2	7.6	18	19.5	20.6	10*	7.6	MG340	6.8
1496	15	8.9	18	19.5	21.9	10*	7.6	MG340	6.8
2179-1	14.7	8.5	18	19.5	28.4	15	8.0	MG360	9.4
2179-2	14.7	8.5	18	19.5	28.4	15	8.0	MG360	9.4
6500TR	N/A	N/A	25	25.2	46.7	63-80A/H	14.5	506-1/A	13.4
6500TRC	N/A	N/A	25	25.2	46.7	63-80A/H	14.5	506-1/A	13.4
6500TRC-1	N/A	N/A	25	25.2	46.7	63-80A/H	14.5	506-1/A	13.4

Model	Rating	Cu. In.	Bobtail Weight	Cylinders	ZF	Weight	Twin Disc	Weight
1120	26BHP@3000	68.6	272lbs	3	10*	27.5 lbs.	MG340	34 lbs.
1496	34BHP@3000	91.5	320lbs.	3	10*	27.5 lbs.	MG340	34 lbs.
2179-1	53BHP@3000	133	463lbs.	4	15	31 lbs.	MG360	48 lbs.
2179-2	55BHP@3000	133	464lbs.	4	15	31 lbs.	MG360	48 lbs.
6500TR	182HP@2200	396	1350lbs.	6	63-80A/H	150 lbs.	506-1/A	225 lbs.
6500TRC	202HP@2200	396	1418lbs.	6	63-80A/H	150 lbs.	506-1/A	225 lbs.
6500TRC-1	222HP@2500	396	1418lbs.	6	63-80A/H	150 lbs.	506-1/A	225 lbs.

**5 year/5000hour engine warranty    1 year warranty on gear and some parts**

**Authorized Sales & Service Dealer**

**norpro**<sup>®</sup> Power Products.

Tel: US (858) 581-3077 Fax: US (858) 274-5523  
Email: [norpro@williamjwoods.com](mailto:norpro@williamjwoods.com) [www.williamjwoods.com/norpro/](http://www.williamjwoods.com/norpro/)