

**marine propulsion family by norpro<sup>®</sup>**

Model **4300TR** 102hp  
**4300TR1** 123hp  
**4300TRC** 140hp

**Engine:**  
**ISUZU DIESEL 4BG1**

**Main Specifications**

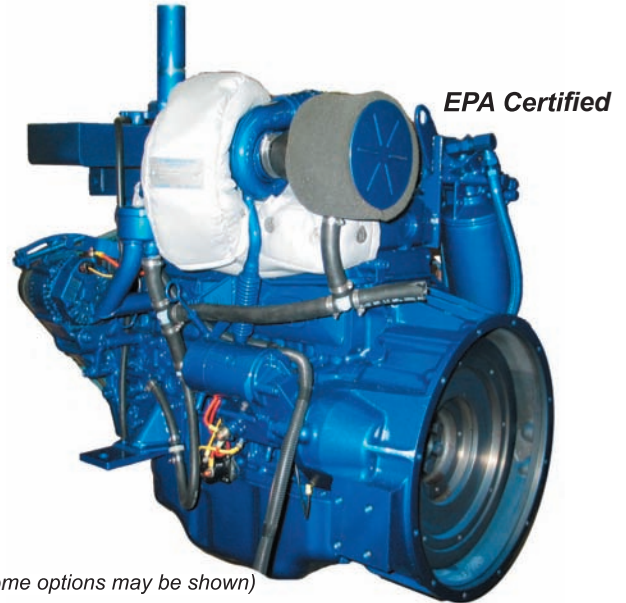
Type.....4 cylinder, 4 cycle, water cooled, OHV  
 Fuel System.....Direct injection  
 Bore & Stroke.....4.13 x 4.92 in.  
 Piston Displacement.....262 cu. in.  
 Dry Weight .....578 lbs.  
 Dimensions -LxWxH.....36.8" x27" x36.6"  
 Coolant Capacity (Block) .....9.0 qts.  
 Lube Oil Capacity .....13.74 qts.  
 Engine Rotation.....Counter clockwise from flywheel  
 Compression Ratio.....17.0:1  
 dB(A)@ 1 meter w/o intake & exhaust attenuated.....87  
 5 year/5000 hour warranty

**Standard Features**

Alternator.....12V - 65A  
 Voltage Regulator.....Internal 12V  
 Starter.....12V - 2.5kW  
 Exhaust Manifold .....Water cooled  
 Flywheel Housing.....SAE #5  
 Flywheel .....7.5 in.  
 Cold Weather Aid.....Glowplugs  
 Turbo .....N/A  
 Engine Shutdown.....Electric  
 Crankshaft .....Tuftrided Hardened  
 Oil Pan .....30° inclination, all directions  
 Paint .....Bonsai Blue

**Marine Rating****4300TR**

Intermittent gross @ sea level.....102BHP @ 2200RPM  
 Continuous gross @ sea level.....179BHP @ 2200RPM  
 Maximum Torque.....260 ft. lbs @ 1600 RPM

*(Some options may be shown)***Options**

Dual Station Instrument Panels with tachometer and "Y" Harness  
 5', 10', 20', or 50' Harness Extensions  
 Raw Water Pump  
 Oil Drain Hose Kit  
 Four Anti-Vibration Mounts  
 Auxiliary Crank Pulley, Stackable  
 Center Line Mounts  
 Shallow Oil Pan  
 Power Steering Pump  
 Bell housing Mounts  
 Pewter Grey or Strong White Paint  
 Drive Damper, SAE Adaptor for BW or Hurth

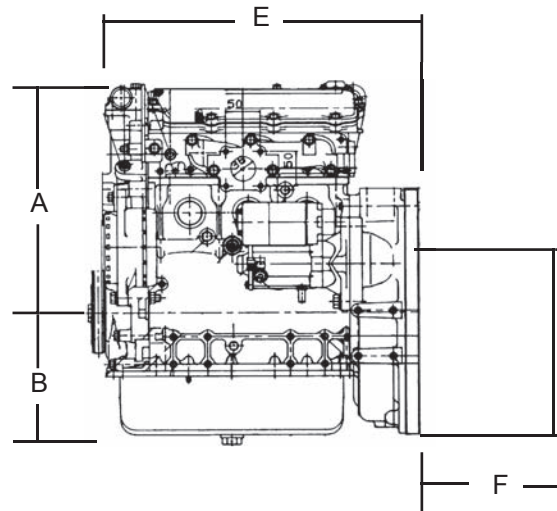
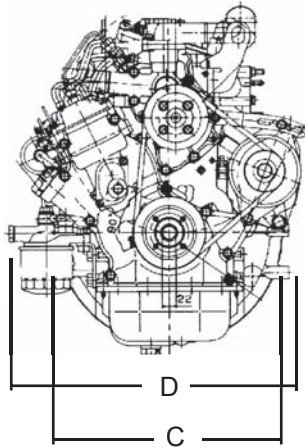
**Marine Rating****4300TR1**

Intermittent gross @ sea level.....123BHP @ 2200RPM  
 Continuous gross @ sea level.....179BHP @ 2200RPM  
 Maximum Torque.....306 ft. lbs @ 2000 RPM

**Marine Rating****4300TRC**

Intermittent gross @ sea level.....140BHP @ 2200RPM  
 Continuous gross @ sea level.....179BHP @ 2200RPM  
 Maximum Torque.....358 ft. lbs @ 1800 RPM

**Delivering excellence one product at a time**



\*2.72 ratio is not compatible. Use instead ZF12 (2.63:1)

Dimensions in Inches

Model	A	B	C	D	E	ZF	F	Twin Disc	F
1496	15	8.9	18	19.5	21.9	10*	7.6	MG340	6.8
2179-1	14.7	8.5	18	19.5	28.4	15	8.0	MG360	9.4
2179-2	14.7	8.5	18	19.5	28.4	15	8.0	MG360	9.4
3100N	20	9.5	N/A	21.8	31				
4300TR	22.2	11.5	23	26	35.5				
4300TR1	22.2	11.5	23	26	35.5				
4300TRC	24.2	11.5	23	26	35.5				
6500TR	N/A	N/A	25	25.2	46.7	63-80A/H	14.5	506-1/A	13.4
6500TRC	N/A	N/A	25	25.2	46.7	63-80A/H	14.5	506-1/A	13.4
6500TRC-1	N/A	N/A	25	25.2	46.7	63-80A/H	14.5	506-1/A	13.4

Model	Rating	Cu. In.	Bobtail Weight	Cylinders	ZF	Weight	Twin Disc	Weight
1496	34BHP@3000	91.5	360lbs.	3	10	27.5 lbs.	MG340	34 lbs.
2179-1	53BHP@3000	133	463lbs.	4	15	31 lbs.	MG360	48 lbs.
2179-2	55BHP@3000	133	464lbs.	4	15	31 lbs.	MG360	48 lbs.
3100N	62BHP@2600	189	578lbs.	4				
4300TR	102BHP@2500	264	835lbs.	4				
4300TR1	123BHP@2500	264	835lbs.	4				
4300TRC	140BHP@2300	264	835lbs.	4				
6500TR	182BHP@2200	396	1350lbs.	6	63-80A/H	150 lbs.	506-1/A	225 lbs.
6500TRC	202BHP@2200	396	1418lbs.	6	63-80A/H	150 lbs.	506-1/A	225 lbs.
6500TRC-1	222BHP@2500	396	1418lbs.	6	63-80A/H	150 lbs.	506-1/A	225 lbs.

Authorized Sales & Service Dealer

**norpro**<sup>®</sup> Power Products.

Tel: US (858) 581-3077 Fax: US (858) 274-5523  
Email: [norpro@williamjwoods.com](mailto:norpro@williamjwoods.com) [www.williamjwoods.com/norpro/](http://www.williamjwoods.com/norpro/)